

# ComAnt<sup>®</sup> Communications Antennas

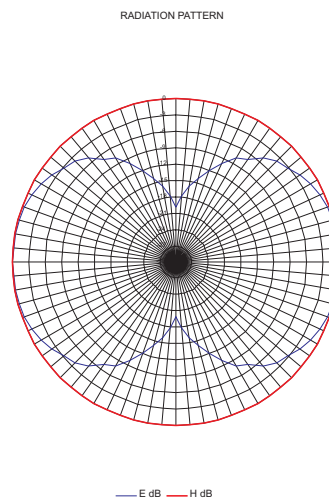
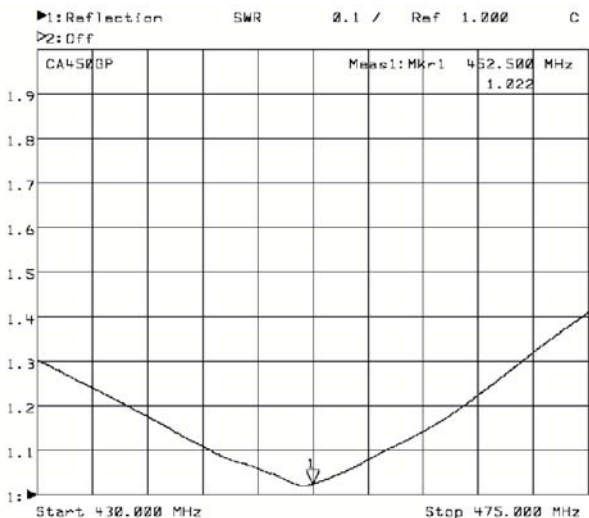
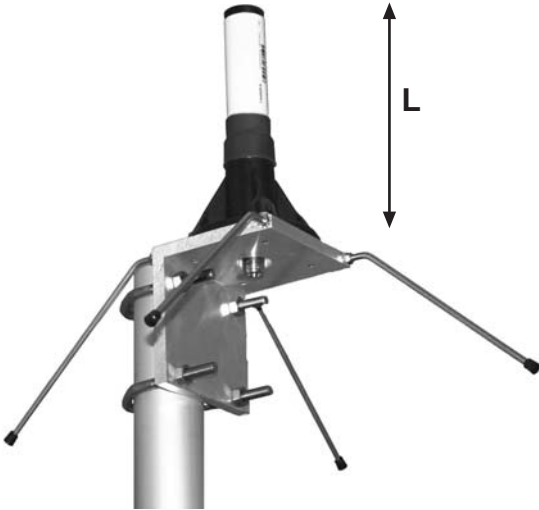
## FREQUENCY INDEPENDENT DATA

Description: omnidirectional ground plane  
 Frequency: 68-72 MHz, 77-81 MHz,  
 135-145 MHz, 144-156 MHz,  
 154-166 MHz, 163-177 MHz,  
 380-430 MHz, 430-475 MHz,  
 830-890 MHz, 890-960 MHz,  
 2300-2500 MHz

Impedance: 50 ohm  
 Gain: 2 dBi  
 Polarization: vertical  
 Connector: N-female/TNC-female  
 VSWR: < 1.5  
 Radome: UV resistant

Radiator: copper  
 Attachment: Ø 35-60 mm, aluminium alloy  
 bracket, stainless steel V-  
 bolts and self locking nuts

Lightning protection: DC-short circuited, -grounded  
 Temperature: -40° - +80°C  
 IP: 67



**CAGP OMNIDIRECTIONAL GROUND PLANE**